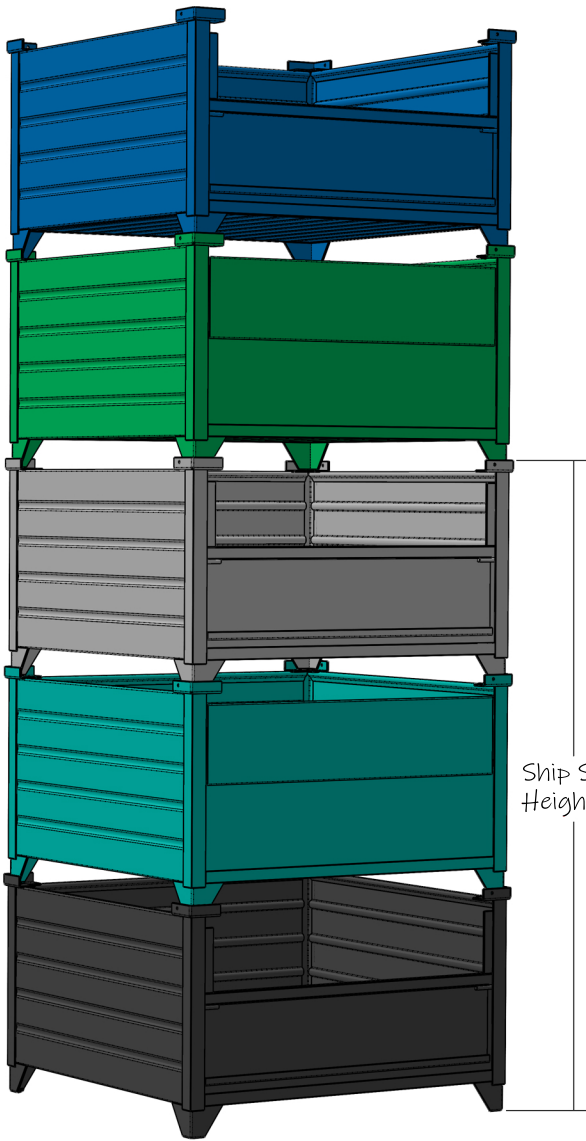


24" Steel Corrugated Container with DROP GATE option.



Ship Stack Height 86"

Gate Shown Open on Blue, Grey & Black Models

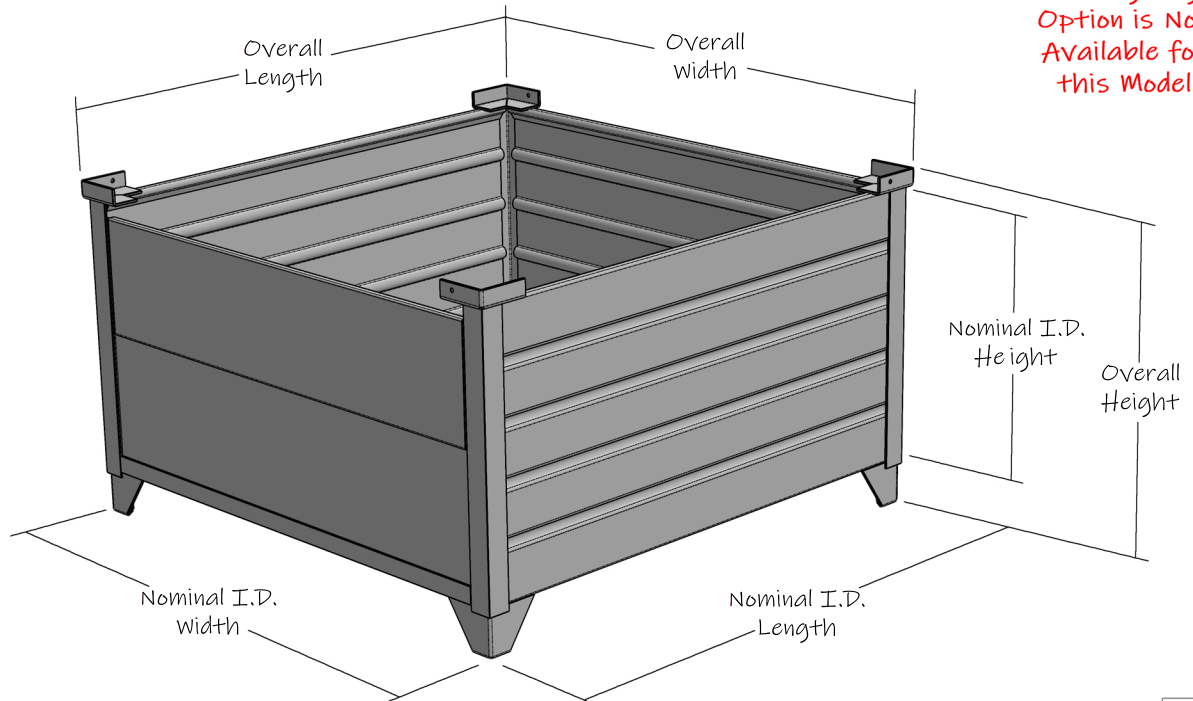
Model No. Unpainted	Tare Wt.	*Nominal I.D. L x W x H	Overall Dimensions L x W x H
51021-DG30	125 lbs.	24" x 30" x 24"	25.5" x 31.5" x 29.5"
51016-DG30	138 lbs.	30" x 30" x 24"	31.5" x 31.5" x 29.5"
51017-DG35	149 lbs.	30" x 35" x 24"	31.5" x 36.5" x 29.5"
51018-DG42	165 lbs.	30" x 42" x 24"	31.5" x 43.5" x 29.5"
51006-DG35	161 lbs.	35" x 35" x 24"	36.5" x 36.5" x 29.5"
51007-DG42	185 lbs.	35" x 42" x 24"	36.5" x 42.5" x 29.5"
51008-DG48	195 lbs.	35" x 48" x 24"	36.5" x 49.5" x 29.5"
51009-DG42	197 lbs.	42" x 42" x 24"	43.5" x 43.5" x 29.5"
51010-DG48	221 lbs.	42" x 48" x 24"	43.5" x 49.5" x 29.5"
51011-DG48	238 lbs.	48" x 48" x 24"	49.5" x 49.5" x 29.5"

*(L xW) are measured from outside wall-to-wall and (H) is the outside height of the wall. To calculate clear/usable ID -1.63" from (LxW) Nominal ID & -1.25" from (H) Nominal ID.

CAPACITY: 4,000 lbs. (UDL) uniformly distributed load.
STATIC STACKING: 5 High maximum, empty and/or full.
SHIP STACKING: 3 High maximum in High Cube Dry Van. FOB WI 53177, NMFC 9950-01; Class 200.
HANDLING: 4" Four-way under clearance on all sides.
MATERIAL: Plain carbon steel construction throughout.
FINISH 1: Unpainted, bare/raw steel.
FINISH 2: Industrial enamel applied direct to metal inside & out but not including underside.
COLORS: Blue, Green, Grey, Teal or Black.
OTHER: Containers will not hold liquids or parts smaller than a 5/8" ball bearing and are not FDA approved.

Lifting Lug Option is Not Available for this Model

Custom Sizes Available Upon Request



1729 NE Frontage Road
 Sturtevant, WI 53177
 Ph: 262-886-6931
 Sales@TopperIndustrial.com

MADE IN THE USA

Since 1997

TOPPER, INC. © COPYRIGHT 2022